

6000XLUX Automatic Barrier

Part of the 6000 BARRIER RANGE

Skirts | Hi-Bars | LEDs | Sensors

DESCRIPTION

- Aluminium extruded cabinet corners
- Removeable access doors on 3 sides
- 100% continuous duty cycle
- Single phase supply, 3 phase motor
- Two stage motor drive
- Inverter driven
- Adjustable acceleration and deceleration
- No springs or counterweights required
- Pre-wired loop detector base for single channel safety and entry/exit control
- Heavy duty roller plunger limit switches
- Programmable control panel
c/w fault diagnostic on screen display
- Built in 8.2Ω safety edge controller
- Manual override in case of power failure
- Comes complete with M12 anchor bolts
- Heavy duty pillar block bearings

XLUX ADDED BENEFITS

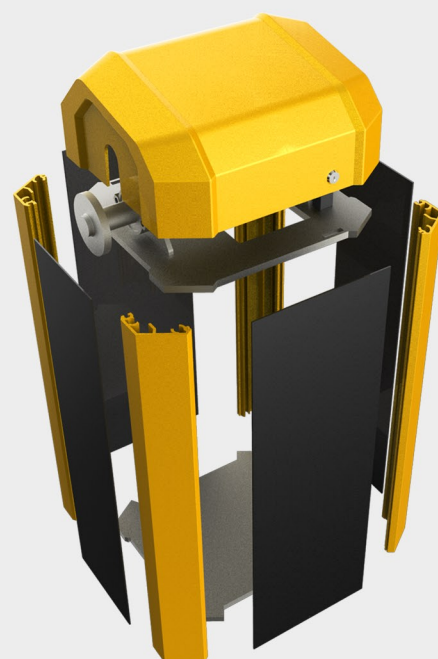
- Coloured safety sensing edges
- LED strip boom lights
- Powerful turnbuckle drive
- Colours available on request
- Low maintenance
- Ease of installation

OPTIONAL EXTRAS

- Pogo tip support
- Magnetic lock
- Lorry Height Stop/ No Entry signs
- Articulated arm (low ceilings)
- Folding bottom skirt up to 6M
- Hi-bar skirt up to 5M
- Plain pole up to 7M

LED BOOM LIGHTS

The 6000XLUX features red/green LED arm lights as standard.



INTERCHANGEABLE SIDES



FLEXIBLE COLOURS

Red with white, and black with yellow colours are standard with monitored safety edge. Custom cabinet colours are possible at extra cost. Includes complimentary LED lights.

6000XLUX Automatic Barrier

PRODUCT DESCRIPTION

Maximum Boom Length	7M plain pole only 6M with bottom skirt 5M with hi-bar
Opening / Closing time	2 - 7 seconds (adjustments)
Power supply	Single phase 230v 25Hz
Drive unit	3 Phase motor & wormed gearbox
Finish	Aluminium & polyester powder coated
Accessories	Pre-wired loop detector bases
Springs / Counter weights	NOT REQUIRED
Cycles	100% continuous duty cycle rating
Safety edge controller	Direct connection of separate 8.2K Ω safety contact edge
Control panel	Programmable PCB & inverter driven
Boom diameter	94mm x 64mm oval
Dimensions	1110mm x 404mm x 416mm
Ambient	-10 ~ 55 degree centigrade
Fixings	M12 anchor shield bolts included
Control panel IP rating	IP57
Settings	Programmable configuration as standard
Weight	Cabinet, contents and polearm: 77kg

